

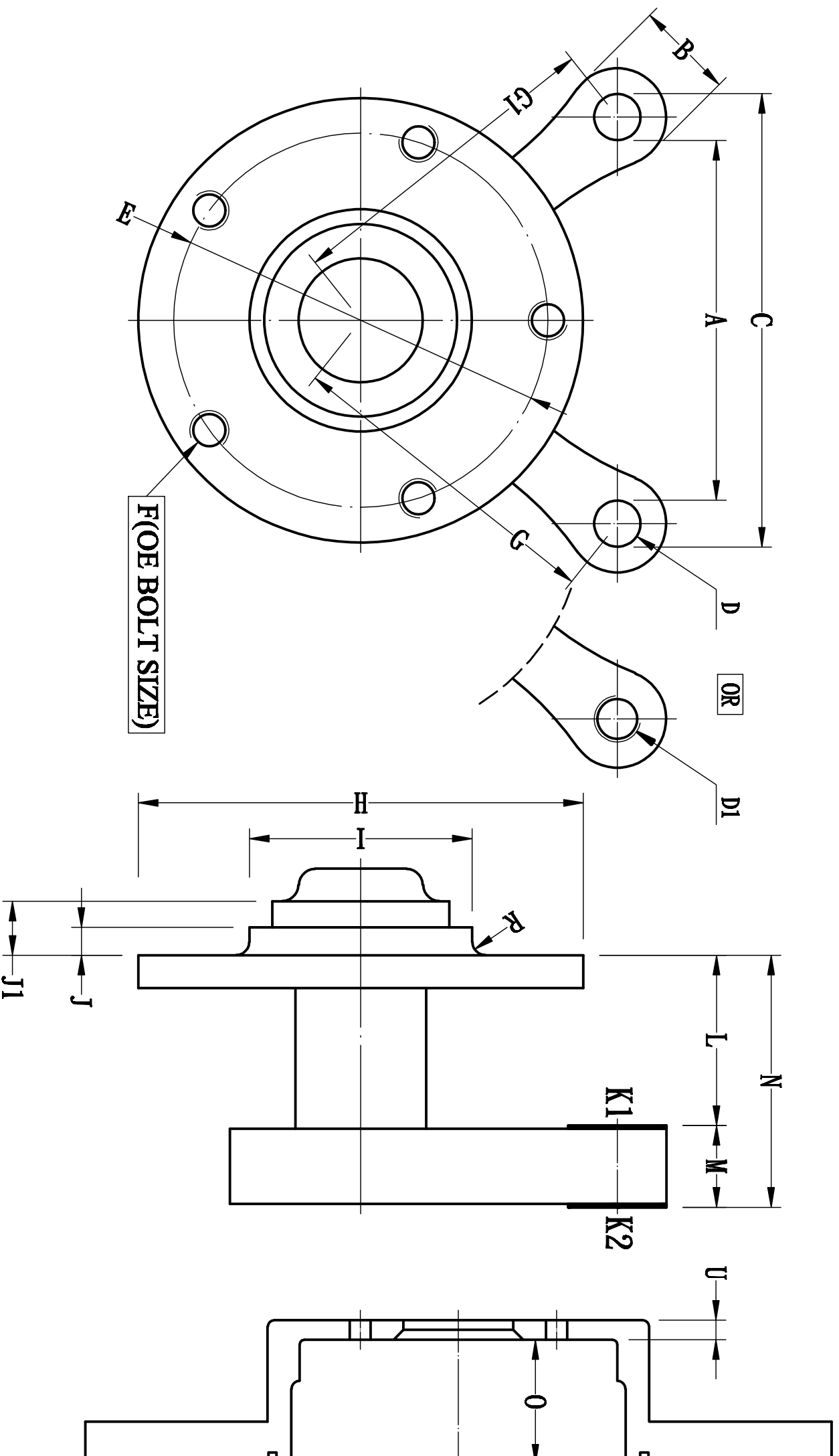
XYZ Auto Parts Co.,Ltd.

SPECIFICATION SHEET

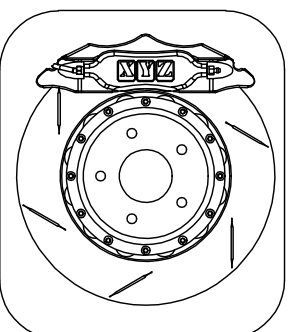
APPLICATION

<input type="checkbox"/> Front 6 POT		Vehicle Make	Model	Year
--------------------------------------	--	--------------	-------	------

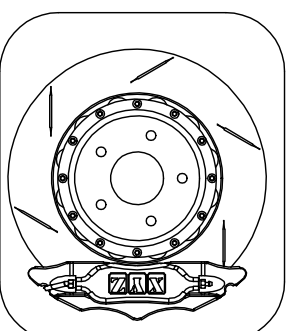
1. OE caliper mounting bracket is located on K1 or K2
2. Length of OE brake hose _____ mm



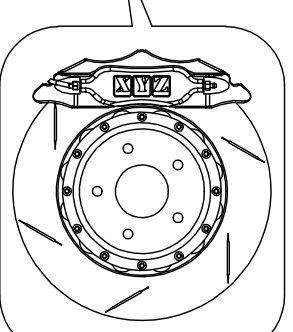
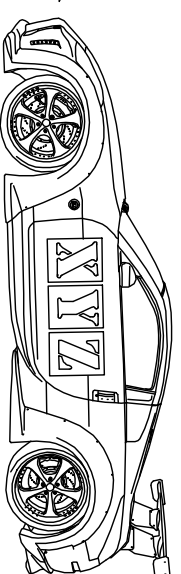
Item	Measurement(in millimeter)
A	
B	
C	
D	
D1	M X P
E	4X or 5X
F	
G	
G1	
H	
I	
J	
J1	
K	K1 <input type="checkbox"/> or K2 <input type="checkbox"/>
L	
M	
N	
O	
R	
U	



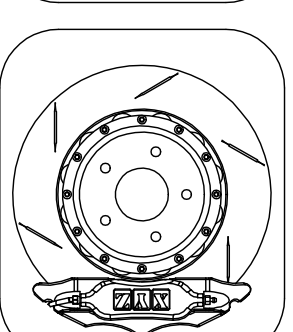
(LEADING)



(TRAILING)



(LEADING)



(TRAILING)